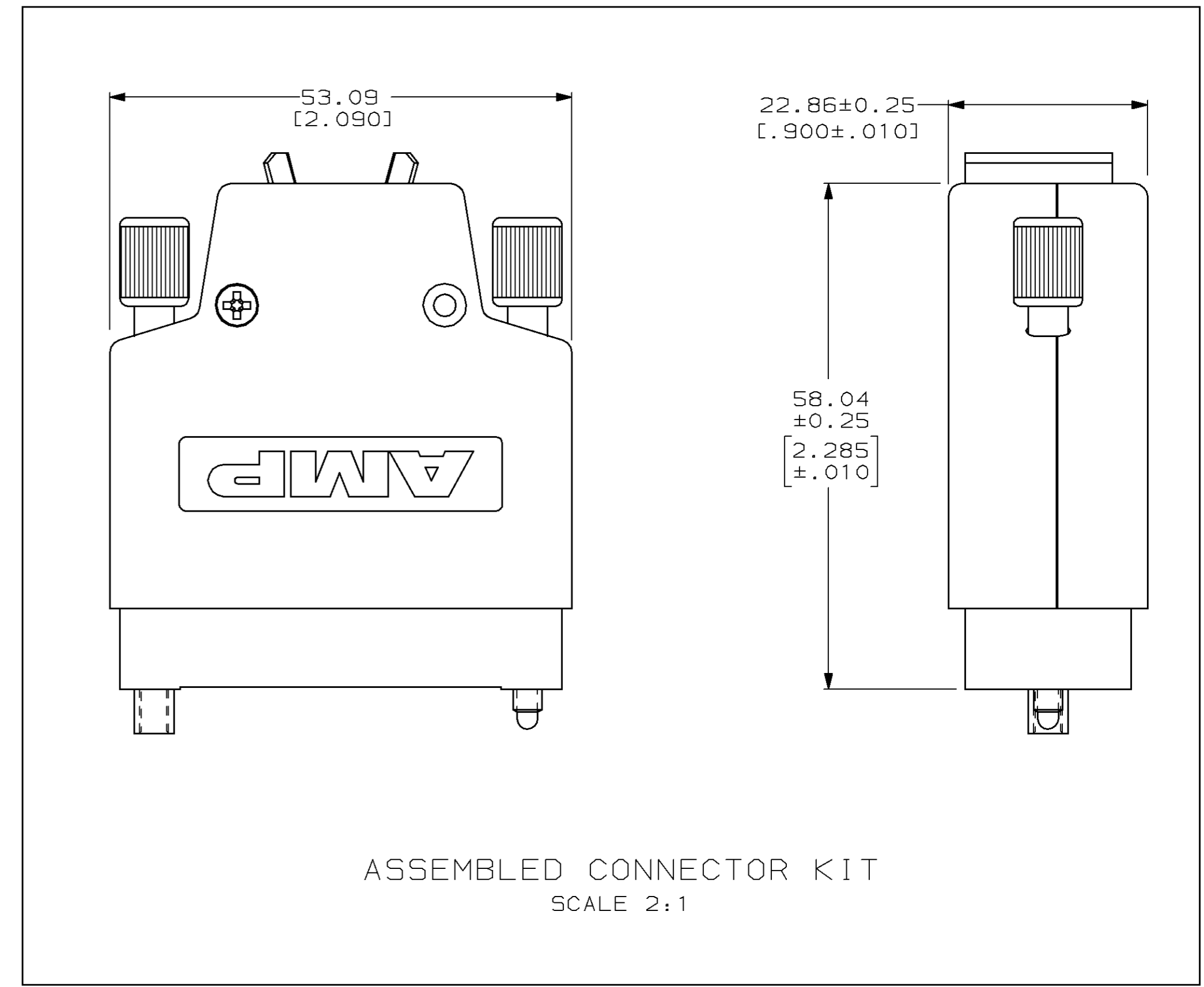
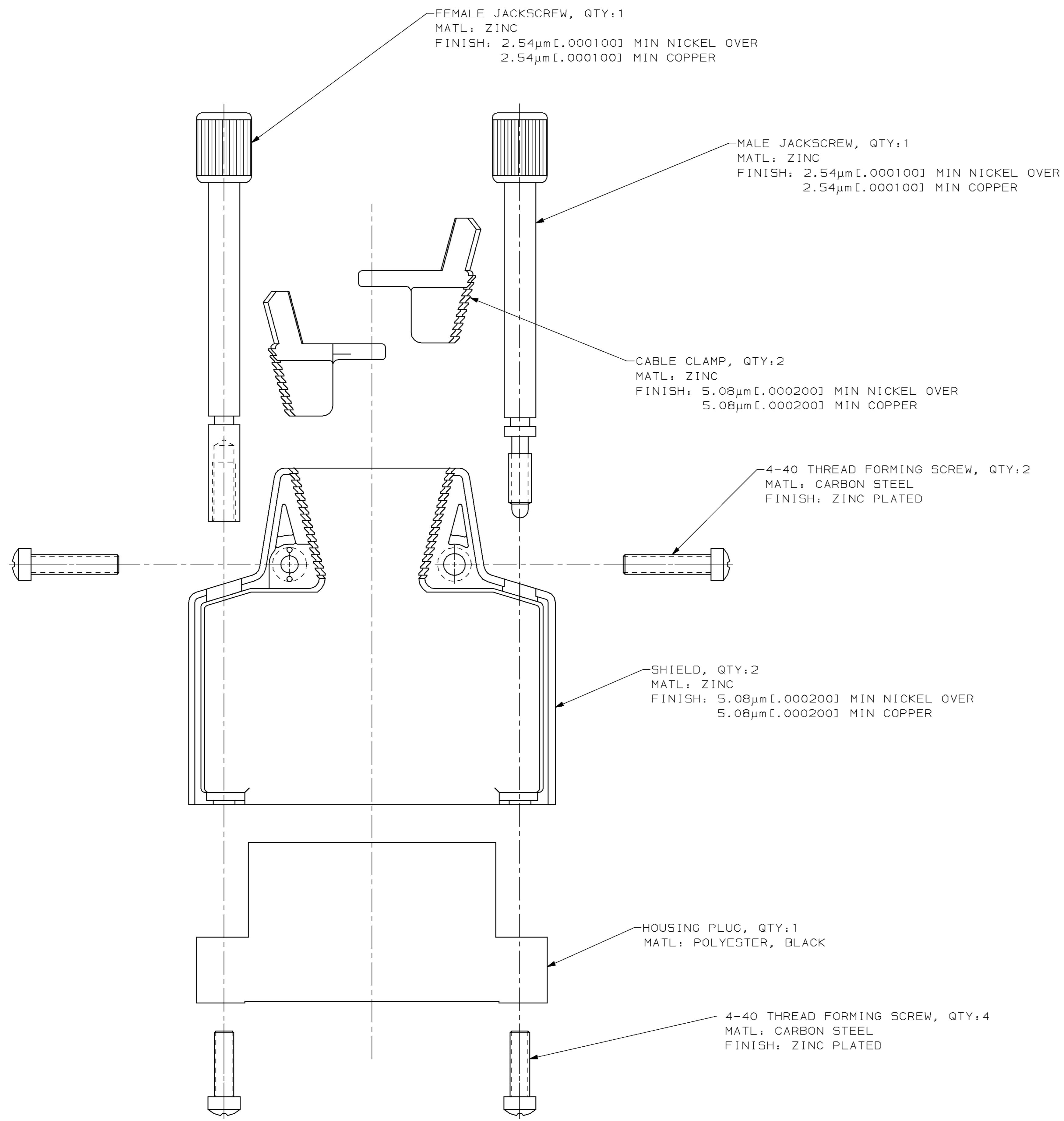


LOC		DIST		REVISIONS		
P	F	ZONE	LTR	DESCRIPTION	DATE	APPD
			0	RLSE -1 & -2 PER NPR 5124 WAS 94-7965-001-01 & -03	08-12-94	TC
			A	REV PER EC 0020-268-95	03/27/95	TC
			B	ADDED -3 PER EC 002-283-96	15 MAR 96	MM
			C	REV PER EC 0320-163-96	08 JAN 97	MM



10.16-15.24 [.400-.600]	213803-3
6.35-10.16 [.250-.400]	213803-2
3.81-7.62 [.150-.300]	213803-1
CABLE DIAMETER	PART NO

DO NOT SCALE PRINT. UNLESS SPECIFIED DIMENSIONS IN mm [INCHES] TOLERANCES ON: 2 PLC DEC ± 0.13(.005) 3 PLC DEC ± - ANGLES ± -	DR 08-12-94 D.BROCKWAY CHK 10-05-94 R.STONE APPD 10-06-94 T.COULSON APPD 10-06-94 T.COULSON	<b>AMP</b> AMP Incorporated Harrisburg, PA 17105-3608 NAME CONNECTOR KIT, UNASSEMBLED, 34 POSITION, V.35, M SERIES		
SEE CALLOUTS	PRODUCT SPEC -	SIZE D	CAGE CODE 00779	DRAWING NO 213803
FINISH SEE CALLOUTS	APPLICATION SPEC -	SCALE 3:1	WEIGHT -	SHEET 1 OF 1